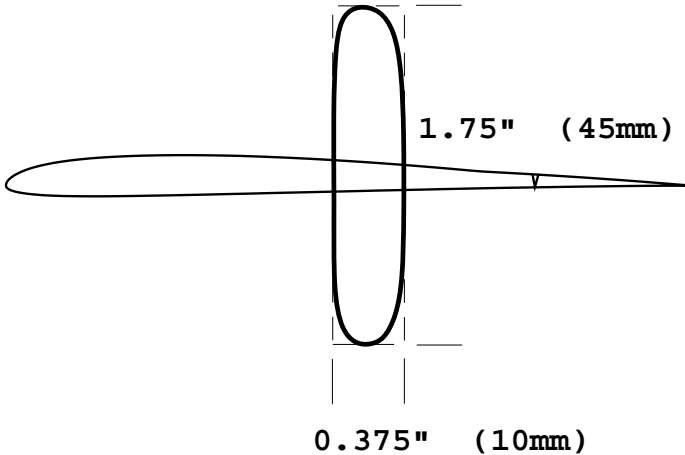


# Supergee Finger Peg

0.06" precured unidirectional carbon



10x cross-section

